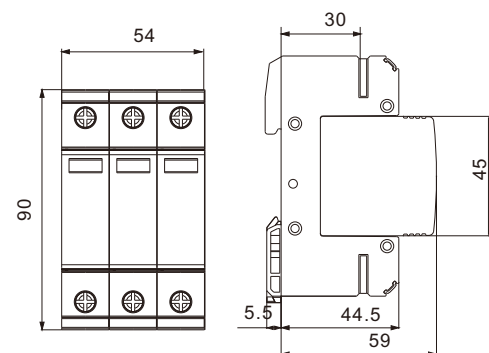




Application

The function of lightning and surge protection systems is to protect the devices, functional isolations and overvoltage-sensitive consumer equipments of energy distribution systems against all lightning and overvoltage damages. whole building; the outdoor lightning protection system is generally not sufficient to eliminate such malfunctions. At most of types, the defected protection device can be made operative again by changing the damaged insert; these variants are also equipped with both optical operation signal and auxiliary status contact.

Overall and Installation Dimension(mm)



Technical Data

Model and Specification	EKU4-40Z/500	EKU4-40Z/800	EKU4-40Z/1000	
Rated Voltage(VDC)	500V	800V	1,000V	
Continuous Operation Voltage(VDC)	550V	850V	1,100V	
Voltage Protection Level of Up	2.5	3	3.6	
Nominal Discharge Current In (8/20μs)	20KA	20KA	20KA	
Maximum Discharge Current I _{max} (8/20μs)	40KA	40KA	40KA	
Reaction Time	<25ns	<25ns	<25ns	
Width/Pole	18mm	18mm	18mm	
Shell Material	PBT	PBT	PBT	
Ambient Temperature	-40°C-80°C	-40°C-80°C	-40°C-80°C	
Fuse or Circuit Breaker Matched	25A	25A	25A	
Terminal Specification	Line	2.5~35mm ²	2.5~35mm ²	2.5~35mm ²
	PE	2.5~35mm ²	2.5~35mm ²	2.5~35mm ²
	Signal	1.5mm ²	1.5mm ²	1.5mm ²
No.of Pole	V+/PE/V-	V+/PE/V-	V+/PE/V-	
Protection Degree	IP20	IP20	IP20	
Mounting	DIN rail 35mm	DIN rail 35mm	DIN rail 35mm	
Network System	PV	PV	PV	
Signal Terminal	Available	Available	Available	